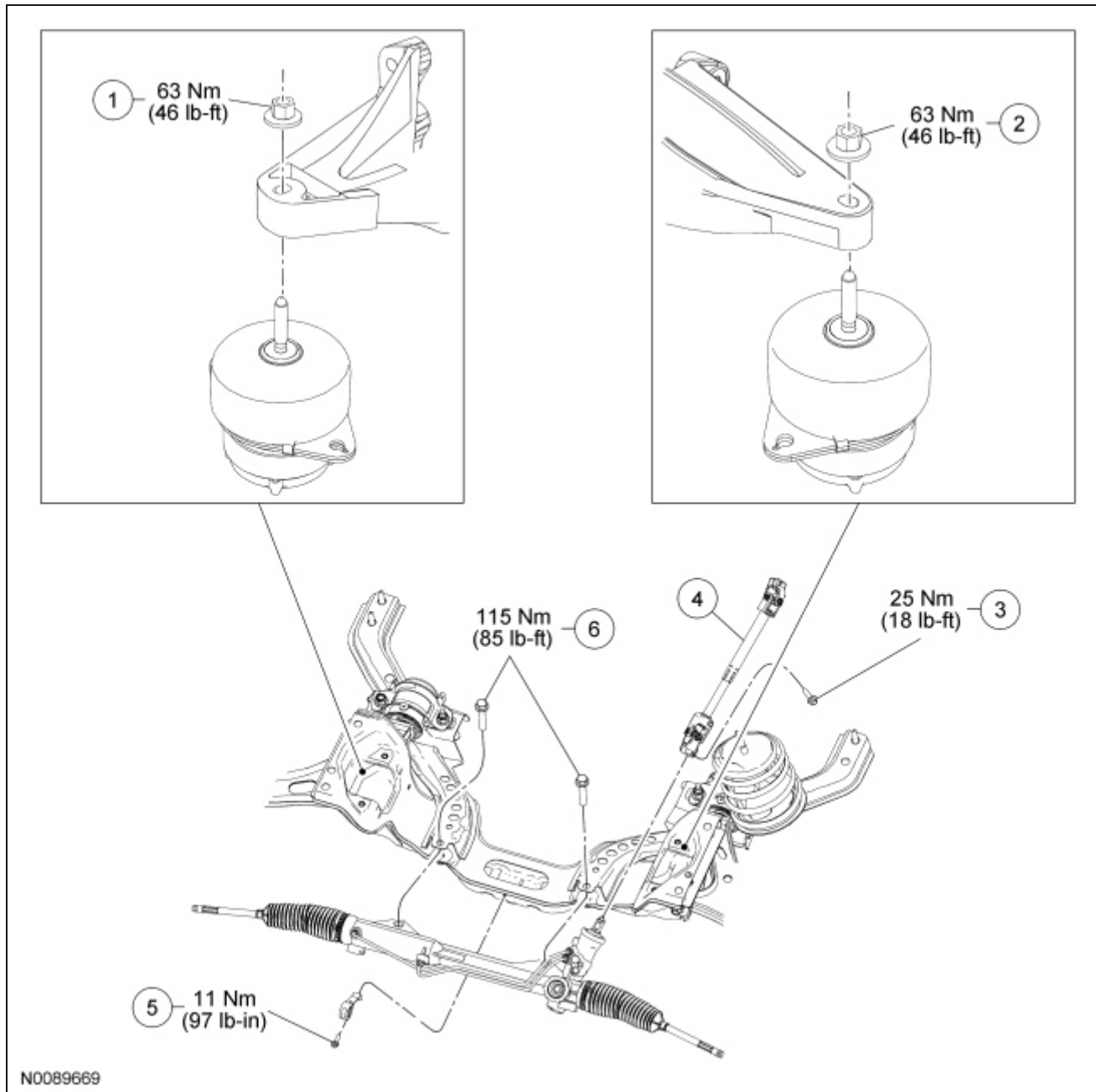


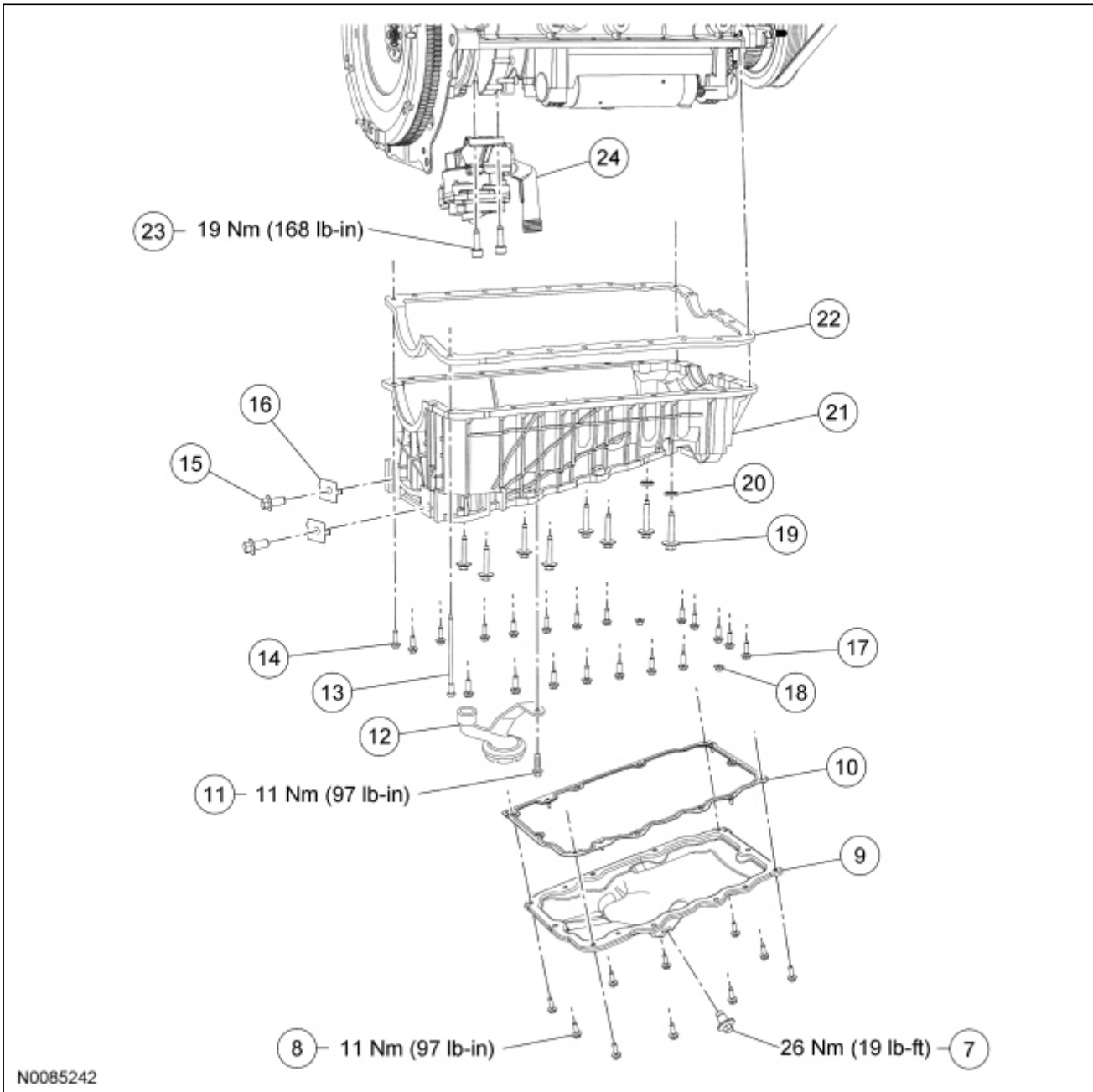
Engine Lubrication Components — Exploded View

Steering Gear and Engine Mounts



Item	Part Number	Description
1	N621943	RH engine mount bracket-to-engine mount nut
2	N621943	LH engine mount bracket-to-engine mount nut
3	W704980	Steering column coupling-to-steering gear bolt
4	3B676	Steering column lower shaft
5	W505255	Power Steering Pressure (PSP) tube bracket-to-crossmember bolt

Oil Pan, Oil Pump, Cylinder Block Cradle and Oil Pump Screen and Pickup Tube



Item	Part Number	Description
7	6730	Oil pan drain plug
8	E802185	Oil pan bolt (10 required)
9	6676	Oil pan
10	6710	Oil pan gasket
11	W500214	Oil pump screen and pickup tube bolt
12	6617	Oil pump screen and pickup tube
13	E804588	Cylinder block cradle bolt
14	W709198	Cylinder block cradle bolt

15	E802185	Bell housing-to-cylinder block cradle spacer bolt (2 required)
16	6C629	Bell housing-to-cylinder block cradle spacer (2 required)
17	E802185	Cylinder block cradle bolt (20 required)
18	E822125	Cylinder block cradle nut (2 required)
19	W702323	Cylinder block cradle bolt (8 required)
20	6734	Washer (2 required)
21	6F092	Cylinder block cradle
22	6710	Cylinder block cradle gasket
23	W708582	Oil pump bolt (2 required)
24	6600	Oil pump

1. For additional information, refer to the procedures in this section.
-